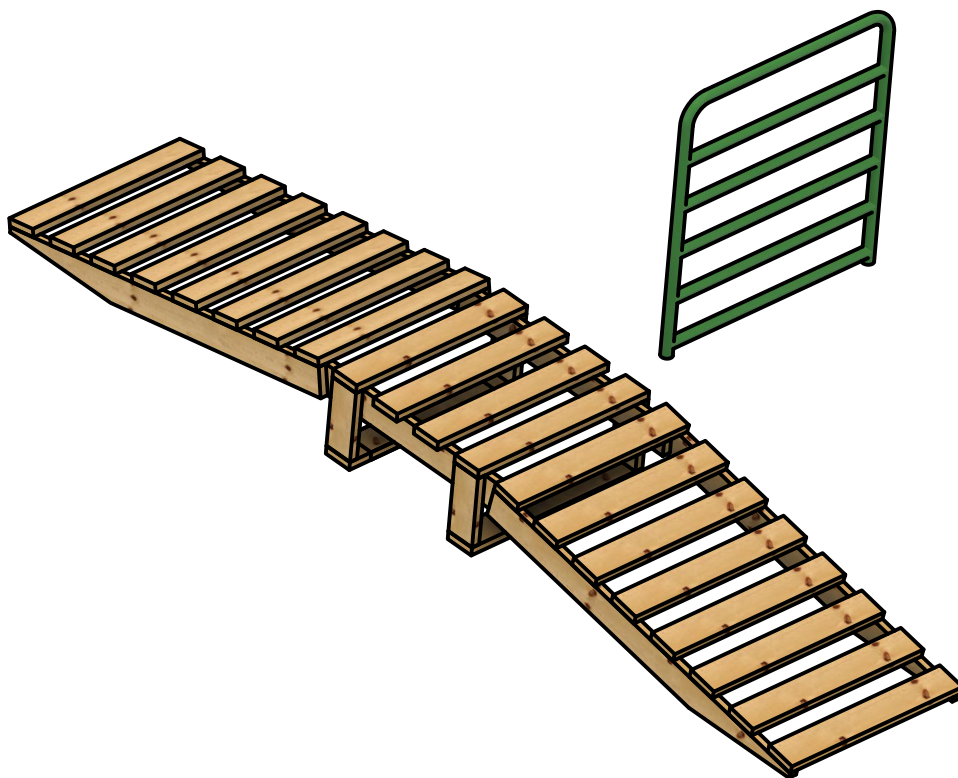


Black Hills style rollover-gate / TrailHead Access Device (THAD).

Variants of this design have been used successfully throughout the Black Hills region of Western South Dakota and Eastern Wyoming for more than 30 years. The THAD is the preferred fence-crossing device of non-motorized, non-equestrian users, and are typically installed alongside a common steel gate.



THAD's are constructed using a modular 3-piece structure, and entirely from common dimensional 2x6 lumber. They are easy to modify during or after installation, and easy to repair or refurbish as necessary with basic hand tools.



PROJECT

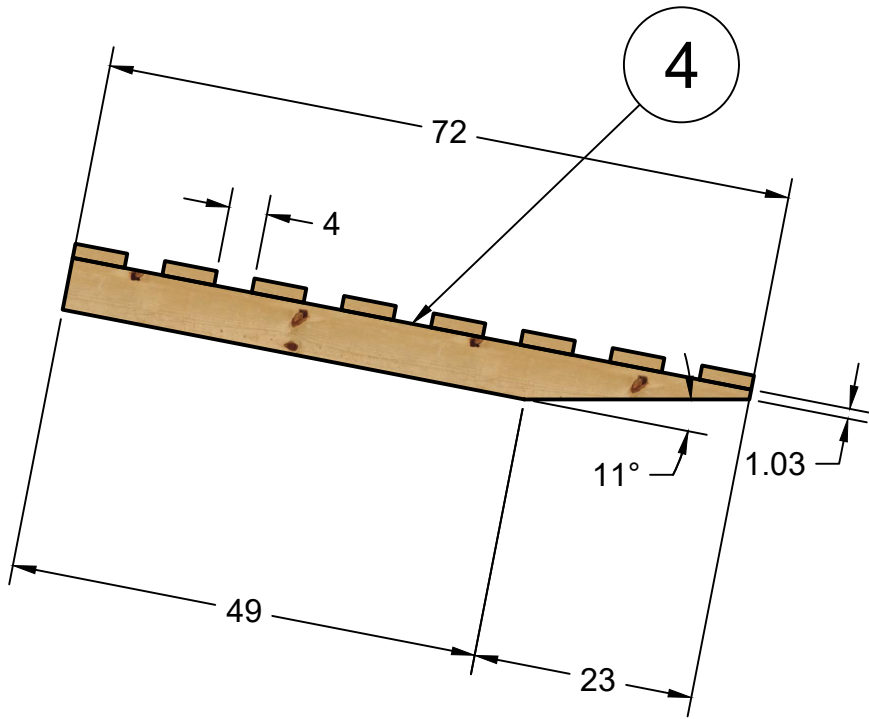
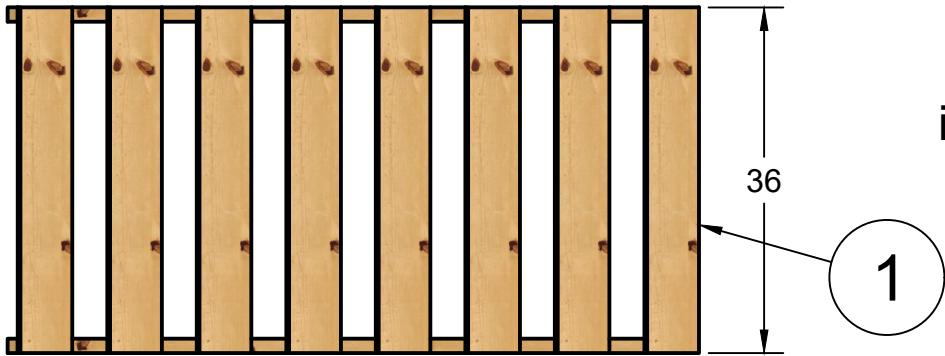
THAD

TITLE

THAD OVERVIEW

APPROVED	SIZE	CODE	DWG NO	REV
CHECKED	A			
DRAWN Samuel Greear 5/30/19	SCALE 1:30	WEIGHT	SHEET 1/3	

All referenced dimensions are in inches or degrees.



2 complete ramp assemblies are required for each THAD.

11 degree cuts can be easily made using a speed square, carpenters square, or by making marks at 1.03" and 23" as referenced and connecting them with a straight edge.

Construction of a complete THAD assembly requires 9 pieces of 12' 2x6 and approximately 108 2.5" deck screws. Typical construction cost per complete unit is \$100.

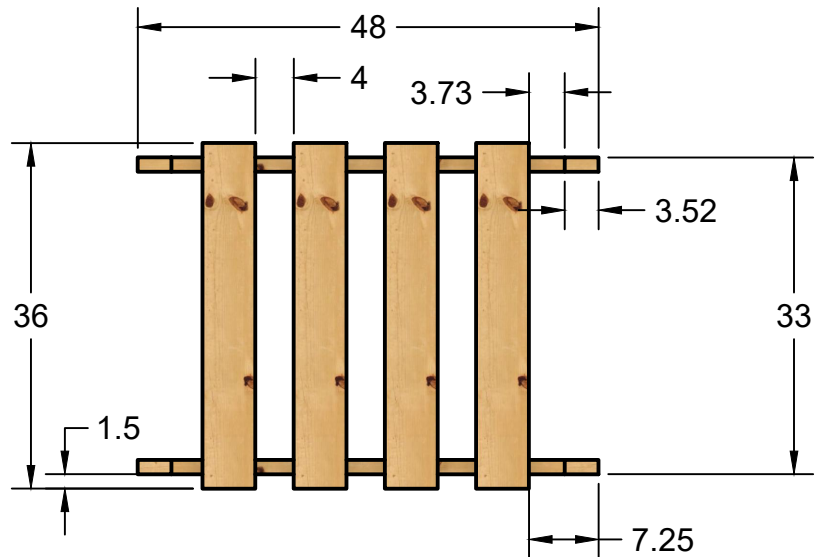
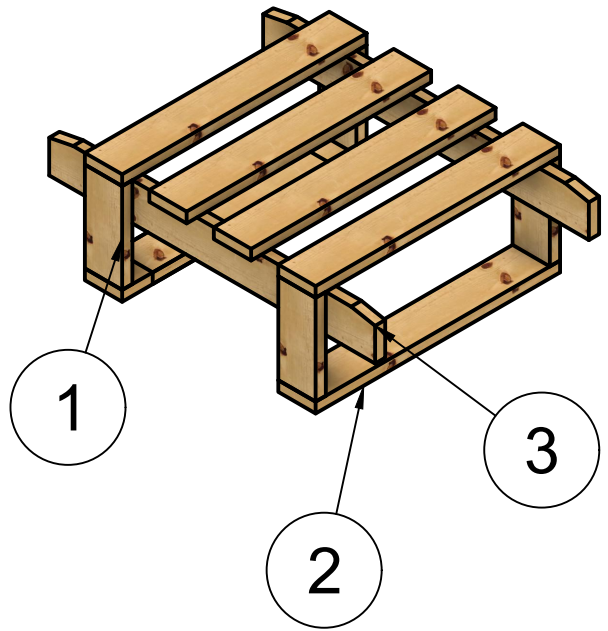
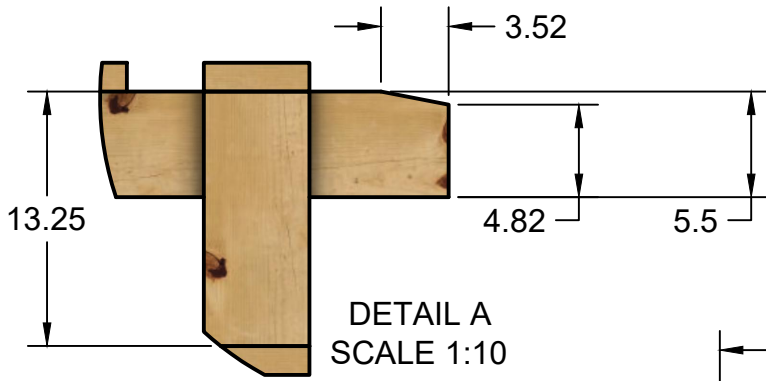
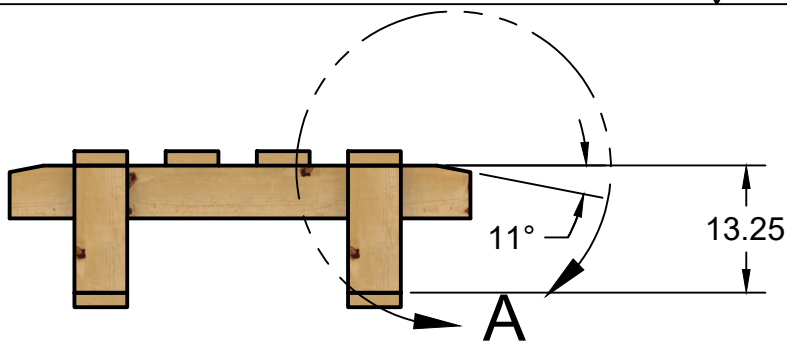
PARTS LIST

ITEM	DESCRIPTION
1	Qty. 8: Tread, 2x6 at 36" length
4	Qty. 2: Runner, 2x6 at 72" with large corner cutouts on lower face



PROJECT
THAD
TITLE
THAD RAMP

APPROVED	SIZE	CODE	DWG NO	REV
CHECKED	A			
DRAWN Samuel Greear 5/30/19	SCALE 1:20	WEIGHT	SHEET 2/3	



During construction only assemble top treads to runners, do not assemble supports or base. Leave supports a few inches long to support modifications during installation, such as for uneven ground. The supports and base can be secured to the underside of the assembled upper base to facilitate transport.

PARTS LIST

ITEM	DESCRIPTION
1	Qty. 4: Support, 2x6 at 13.25" length, leave long and trim to fit in the field
2	Qty. 6: Tread, 2x6 at 36" length, used for treads and base
3	Qty. 2: Runner, 2x6 at 48" with corner notches on upper face



PROJECT
THAD

TITLE
THAD BASE

APPROVED	SIZE	CODE	DWG NO	REV
CHECKED	A			
DRAWN Samuel Greear 5/30/19	SCALE 1:20	WEIGHT	SHEET 3/3	